



**Dearborn®
Brass**

4675 W. 160th St.
Cleveland, Ohio 44135
Ph: (800) 321-9532
Fax: (800) 321-9535
www.dearbornbrass.com

SUBMITTAL SPECIFICATION

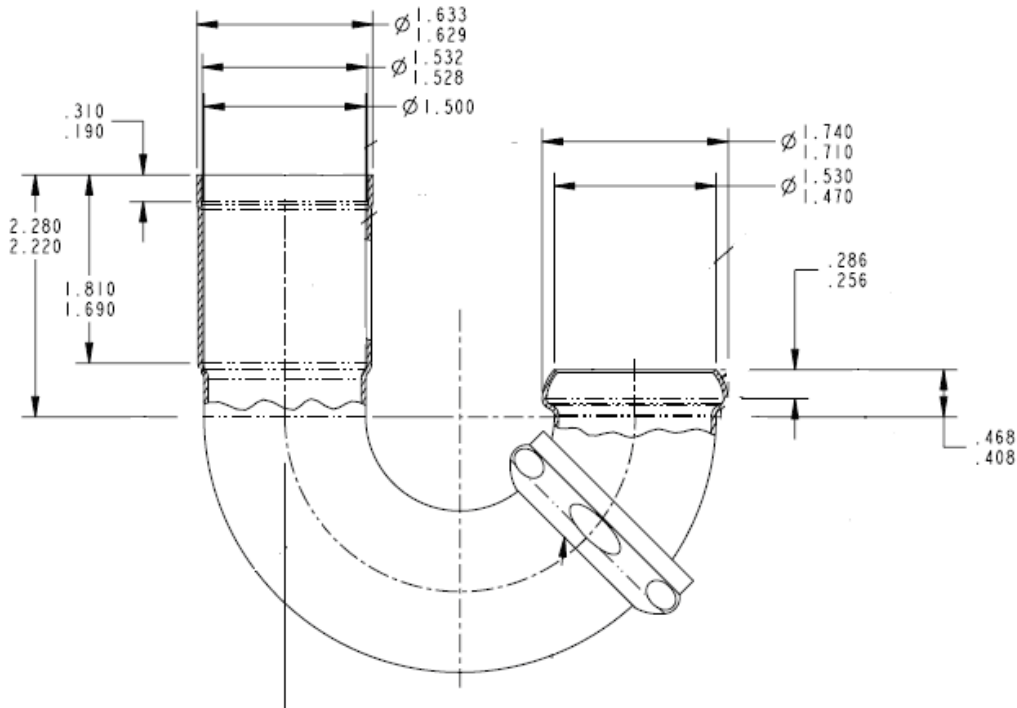
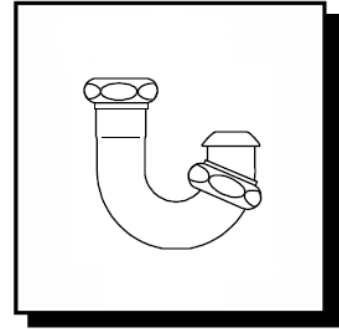
**BRASS TUBULAR
1-½" SINK J-BEND WITH GROUND JOINT**

Engineering Specification: Dearborn Brass 1-½" Brass Tubular Sink J-Bends are designed for use in tubular drain applications. Available in 17 or 20 Gauge Brass. Options include Brass Nut.

Job Reference

DESCRIPTION

- Chrome Plated
- Sink J-Bend
 - Sink J-Bend with Ground Joint
 - (1) Nut
 - (2) Rubber Washers



| ✓ | Product No. | Description | Carton Quantity | Carton Weight (lbs) |
|---|-------------|--|-----------------|---------------------|
| | 654-1 | 1-½" Sink J-Bend with Ground Joint – 20 Gauge | 10 | 6 |
| | 655-1 | 1-½" Sink J-Bend with Ground Joint – 17 Gauge | 10 | 7 |
| | 655BN-1 | 1-½" Sink J-Bend with Ground Joint and Brass Nut – 17 Gauge | 10 | 10 |
| | 655BN-3 | 1-½" Sink J-Bend with Ground Joint and Brass Nut – 17 Gauge – Unfinished | 10 | 10 |

Data is subject to manufacturing tolerances.